

MSC BASIC LOGIC GATE TRAINING SET MSC-02

SET CONTAIN

1. Safety circuit board MSC1

MSC1.1 6pcs

2. Safety visible component module MSC2

MSC2.8.001	1pc	Quad 2-input NAND gates 7400
MSC2.8.002	1pc	Quad 2-input NOR gates 7402
MSC2.8.003	1pc	Quad NOT gates 7404
MSC2.8.004	1pc	Quad AND gates 7408
MSC2.8.005	1pc	Quad OR gates 7432
MSC2.8.008	1pc	Quad 2-input EXCLUSIVE OR gates 7486
MSC2.8.010	1pc	Quad EXCLUSIVE NOR gates CD4077
MSC2.7.001	1pc	4-digit data switch
MSC2.7.002	1pc	4-digit level display

3. Safety leads MSC3

MSC3.25R	1pc
MSC3.25K	1pc
MSC3.25B	2pc
MSC3.25G	2pc
MSC3.25Y	2pc

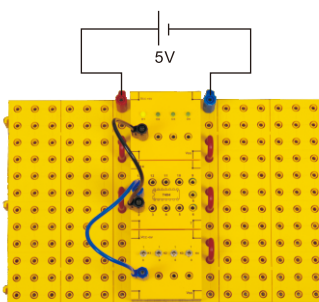
4. Plastic case

TPC005 1pc

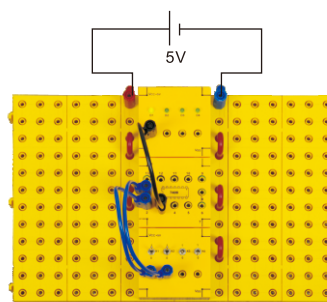


EXPERIMENT CONTAIN

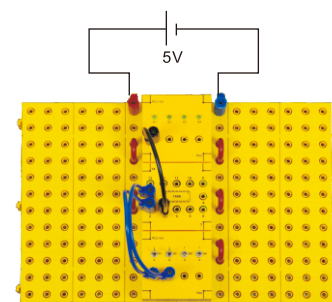
NOT logic gate



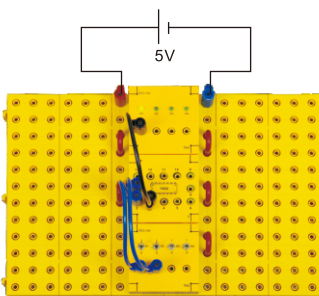
AND logic gate



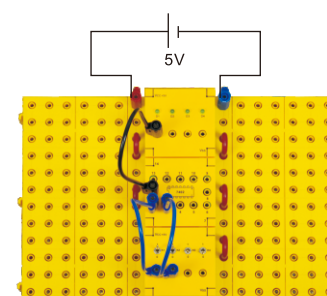
NAND logic gate



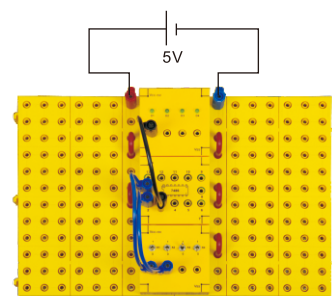
OR logic gate



NOR logic gate



XOR logic gate



XNOR logic gate

